

# Mixergy X - Direct

120 | 150 | 180 | 210 | 250 | 300 Litres

Mixergy tanks are available as indirect or direct variants, and as vented or unvented systems. Our standard diameter tanks are available to suit the needs of most homes.



- **Unique volumetric heating**  
Only heat what you need - save up to 40% on hot water bills
- **Heat quicker**  
Delivers hot water up to 10x faster than conventional tanks
- **Constant control**  
The Mixergy App and control gauge show you how much hot water you have available at any time
- **Smart scheduling**  
Build a schedule that ensures you always have enough hot water available
- **Voice control**  
Control your Mixergy tank through your Alexa or Google Home device
- **Smart tariff ready**  
Use dynamic time-of-use tariffs to provide cheap hot water in off-peak periods
- **Energy Savings Trust verified**  
Independent verification that Mixergy tanks significantly reduce gas consumption, saving up to 21% on hot water bills



Heat pump ready, so you can easily connect to all makes and models of heat pump in the future



Easy connection to solar PV - either on installation or in the future



Long life 3kW Incoloy immersion heater positioned at the top of the tank to provide fast and efficient top-down heating



Manufactured in the UK



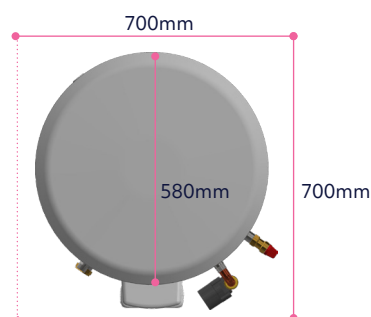
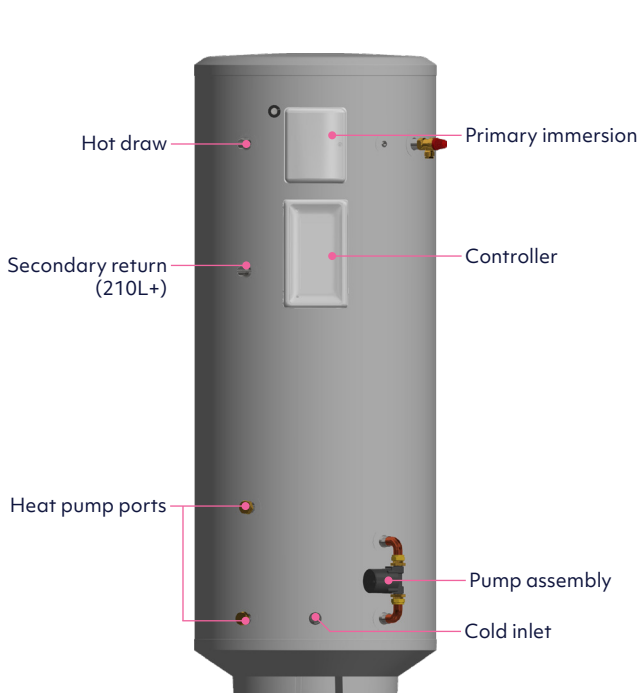
V03

# Technical Data

Model	120L	150L	180L	210L	250L	300L
Product code	MX-120-ELE-58X	MX-150-ELE-58X	MX-180-ELE-58X	MX-210-ELE-58X	MX-250-ELE-58X	MX-300-ELE-58X
Nominal capacity (litres)	120	150	180	210	250	300
Height (mm)	1001	1185	1371	1561	1806	2076
Diameter (mm)	580	580	580	580	580	580
Weight empty (kg)	44	46	51	56	62	65
Weight full (kg) *	163	198	232	264	306	355
Cylinder material	Duplex Stainless steel					
Insulation	CFC/HCFC free polyurethane foam, 60mm					
Water connections	22 mm compression					
Electrical supply	16A, 230 - 240 V~					
ErP rating	B	B	B	B	B	B
ErP draw profile	M	M	M	M	M	M
ErP efficiency (%)	39.2	39.2	40.0	39.7	40.0	39.6
ErP AEC (kWh)	1310	1310	1257	1293	1282	1296
Immersion heater rating (kW)	3	3	3	3	3	3
Standing heat loss ** (kWh/24h)	0.54-1.08	0.54-1.15	0.54-1.27	0.54-1.39	0.54-1.63	0.54-1.73
Standing loss (W)	45	48	53	58	68	72
Minimum reheat time (15-65 °C)	44 mins	44 mins	44 mins	44 mins	44 mins	44 mins
70% charge reheat time (15-65 °C)	98 mins	123 mins	147 mins	172 mins	205 mins	245 mins
100% charge reheat time (15-65 °C)	140 mins	176 mins	210 mins	246 mins	293 mins	350 mins

\* For cylinders with external heat exchanger fitted, add 5kg to the full cylinder weight

\*\* Lower value represents losses at 25% total volume heated and upper value is used for SAP



## The following components are supplied as standard:

- Unvented kit: pressure reducing valve, check valve, pressure & temperature relief valve, expansion relief valve, tundish and expansion vessel (including mounting bracket and 3/4" x 22mm adapters)
- 3 kW immersion heater(s) 1.3/4" BSP (fitted)
- Powerline to Ethernet adapter
- Ethernet cable
- Control gauge
- User Guide

## HERE TO HELP

For further information or technical assistance

01865 884343

enquiries@mixergy.co.uk

www.mixergy.co.uk

